

SUBLIFT

BY SWEDE SHIP

12t

THE SAFE, COMPACT, SELF-PROPELLED SUBMERISBLE BOAT HOIST

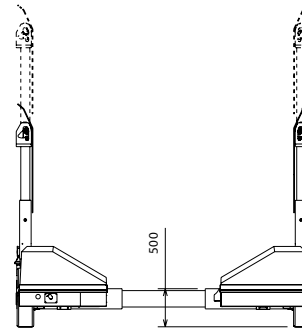
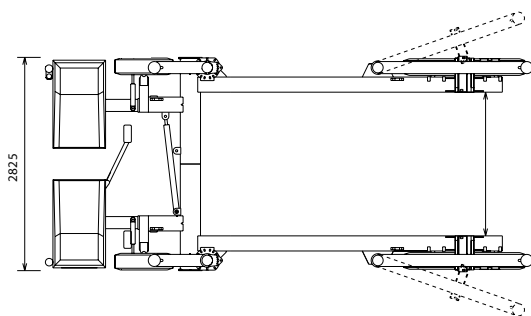
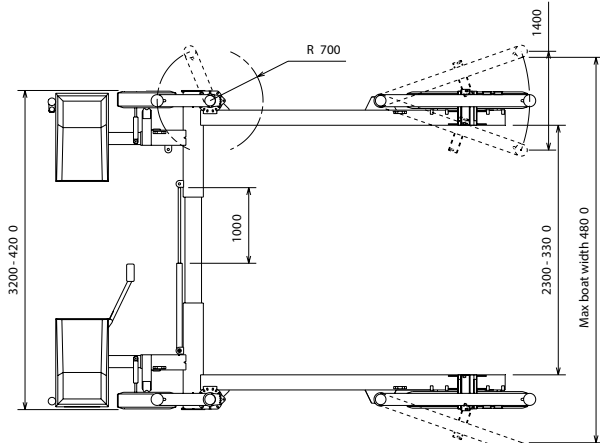
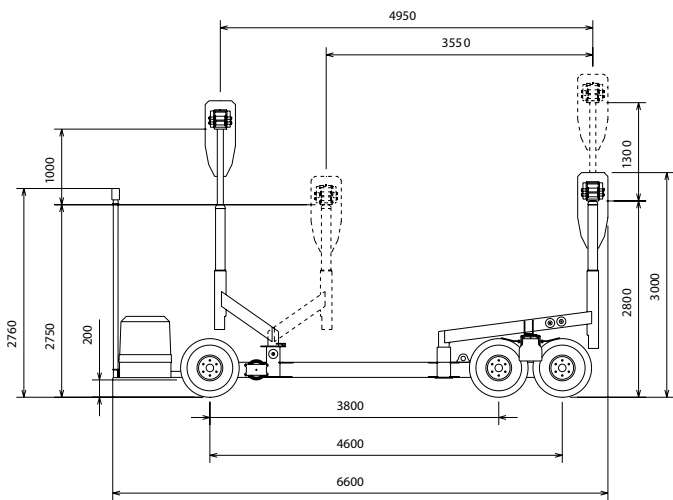


The SUBLIFT 12t is used by marinas and boat clubs. It is equipped with slings on two pairs of hydraulic lifting arms. Maximum boat weight is 12 ton.

www.sublift.se

Sublift 12t

Submersible | Flexible width | Remote controlled | Safe and fast



Sublift 12t - Data

Service weight:	4 000 kg
Max load:	12 000 kg
Max load/sling front:	4 800 kg
Max load/sling rear:	7 200 kg
Highest slope:	1/8
Max side slope:	1/15
Engine:	Kubota 26 kW
Max speed:	8 km/h



Drawings are subject to change without prior notice.

- SUBLIFT 12t is designed for a maximum boat load of 12 ton and maximum width of 4.8 m
- All functions are accessible from the remote control
- Transmission on the 4 rear wheels is fully hydraulic powered
- The hydraulic engine has two gears and stepless speed control with a highest speed of 8 km/h, unladen
- Maximum slipway slope with loaded hoist is 1:8
- Electric sling locks are available as option
- The lifting arms height are adjustable by hydraulics
- Actual load on each sling is displayed in the remote control
- The lifting arm width is set by hand and locked with pin bolt before lifting
- The hoist is protected with hot dip galvanizing, epoxy primer and a polyurethane coating
- Wheel axles and hubs have special seals that prevents water penetration

