

SUBLIFT

BY SWEDE SHIP

40t

THE SAFE, COMPACT, SELF-PROPELLED SUBMERISBLE BOAT HOIST



The SUBLIFT 40t is a flexible tool for the marina who want to offer fast service to its customers. It is equipped with slings on three pairs of hydraulic lifting arms making the hoist truly flexible. Boat weights up to 40 ton can be handled.

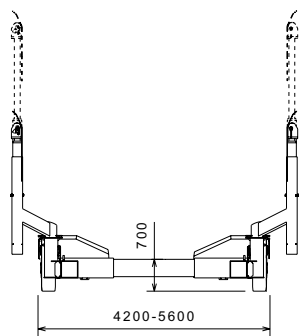
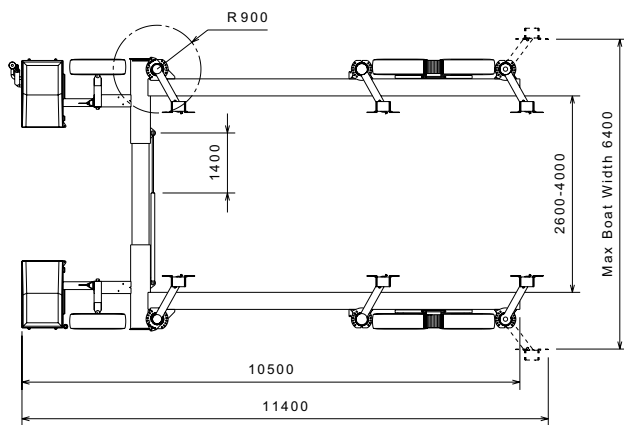
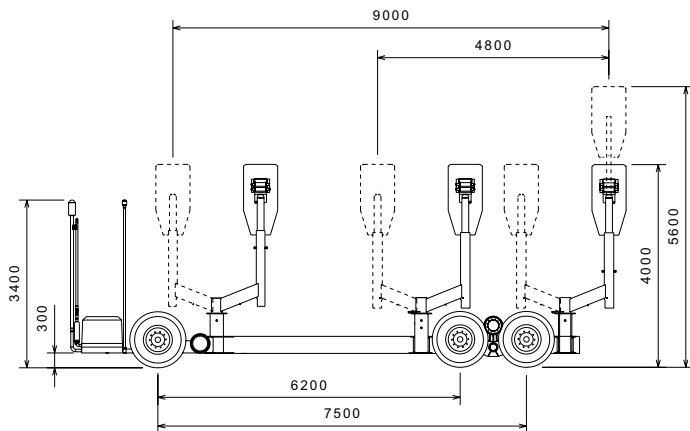
www.sublift.se

Sublift 40t

Submersible | Flexible width | Remote controlled | Safe and fast

Sublift 40t - Data

Service weight:	12 500 kg
Max load:	40 000 kg
Max load/sling:	14 500 kg
Highest slope:	1/10
Max side slope:	1/20
Engine:	Kubota 36 kW
Max speed:	6 km/h



Drawings are subject to change without prior notice.



- SUBLIFT 40t is designed for a maximum boat load of 40 ton and maximum width of 6.4 m
- All functions are accessible from the remote control
- Transmission on the aft bogie wheels is fully hydraulic powered
- The speed from slow crawling, in "turtle" mode, up to walking pace, in "rabbit" mode, is steplessly controlled
- Electric sling locks are available as option
- The lifting height and optionally width are adjustable by hydraulics
- Actual load on each sling is displayed in the remote control
- The hoist is protected with hot dip galvanizing, epoxy primer and a polyurethane coating
- Wheel axles and hubs have special seals that prevents water penetration

