

SUBLIFT

BY SWEDE SHIP

90t

THE SAFE, COMPACT, SELF-PROPELLED SUBMERSIBLE BOAT HOIST

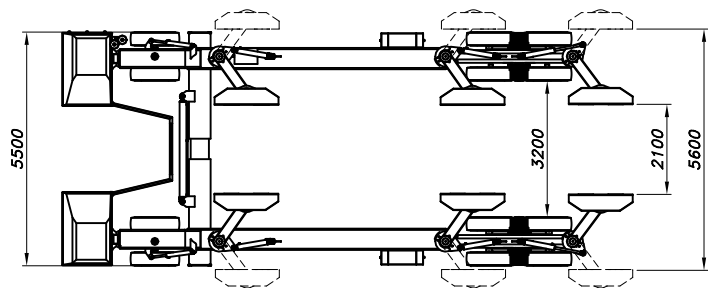
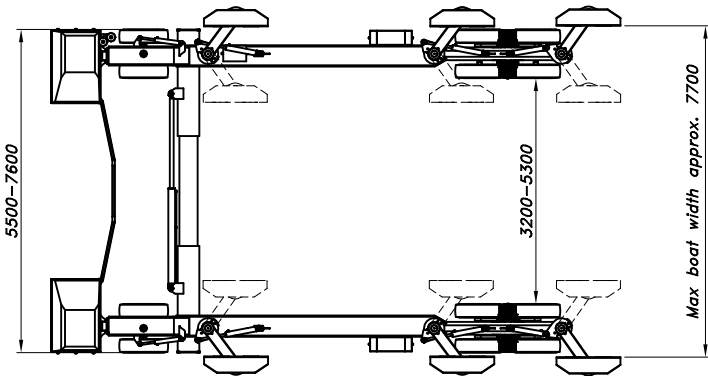
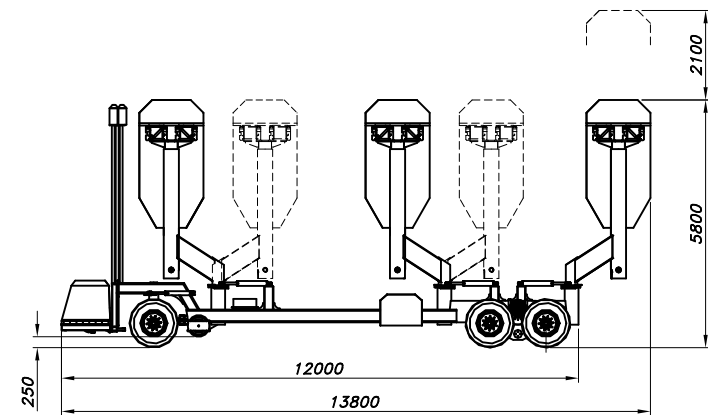


The SUBLIFT 90t is a heavy duty machine for the marina that handles larger vessels. It is equipped with three pairs of hydraulic lifting arms with double slings. Boat weights up to 90 ton is handled.

www.sublift.se

Sublift 90t

Submersible | Flexible width | Remote controlled | Safe and fast



Drawings are subject to change without prior notice.

Sublift 90t - Data

Service weight:	33 000 kg
Max load:	90 000 kg
Max load/arm pair:	30 000 kg
Highest elevation:	1/10
Max side tilt angle:	1/20
Engine:	Perkins 106 kW
Max transport speed:	5 km/h



- SUBLIFT 90t is designed for a maximum boat load of 90 ton and maximum width of 7.7 m. Optional width 8.3 m
- All functions are accessible from the remote control
- Each axle has double wheels
- All rear wheels are driven through hydraulic power
- The double transmission on the bogie axles are fully hydraulic powered
- Electric sling locks are available as option

- The aft bogies ensures that the weight is always evenly distributed over the wheel pairs
- Actual load on each pair of actuators are calculated and presented in the display
- The hoist is protected with hot dip galvanizing, epoxy primer and a polyurethane coating
- Wheel axles and hubs have special seals that prevents water penetration

